



FEED & BIOFUEL PELLET MILL TYPE PM30-6

The PM30-6 is a high-performing pellet mill exclusively designed for biomass. It allows for high-quality products with reduced maintenance cost and increased capacity due to the optimized die speed and patented feed system. The PM30-6 pellet mill is equipped with a highly energy-efficient, double-

reduction gearbox, enabling the optimized die speeds to be achieved at high working loads. The pressurized oil lubrication system with air cooling for the gearbox is standard.

The heavy-duty, casted pellet chamber door and independent feed system are mounted on a motorized

frame for easy access to the pellet chamber. The inner pellet chamber cover is in stainless steel. Underneath a stainless steel liner, the pellet chamber insides are coated for better protection against corrosion & wear. Easy inspection of pellet chamber and setting of rollers via the feeder screw opening.

ANDRITZ

ENGINEERED SUCCESS

The feed system is equipped with the patented feed screws driven by individual motors feeding material radially for even distribution to each roller. Andritz equipment combined with our extensive process knowledge, experience in the field, and local service experts ensure your process requirements are met and a maximum return on investment is achieved.

TAPER FIT DIE

The pellet mill has an operator-friendly, conical, bolt-suspended die of high-quality steel. The auto-piloting effect makes die change smooth and easy. The die is symmetrical and turnable.

REPLACEABLE WEAR RINGS

The die main shaft and the reinforcement ring are supplied with replaceable wear rings.

PRESS ROLL DESIGN

Wide rolls with turned edges and narrow track width are supplied with sturdy spherical roller bearings to withstand heavy loads.

The roller shaft, supported at both ends, is supplied with symmetrically placed water-cooling channels and a thermo-sensor for temperature monitoring of roller bearings. Roll adjustment is checked via the feeder screw opening.

DUAL KNIFE SYSTEM

The casted, stainless steel lined pellet chamber is equipped with a dual knife system to ensure optimal pellet length.

OIL-LUBRICATION OF THE MAIN BEARING

The oil-lubricated main bearing facilitates better cooling and lubrication of the main bearing for longer bearing life

SAFETY STOP

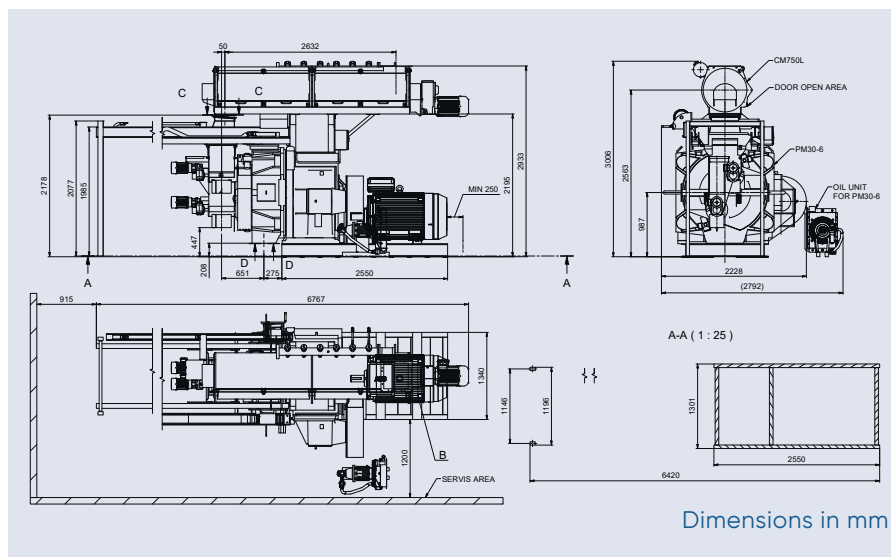
The shear pin system integrated into the roll adjustment spindle protects the shaft against damage.

BUILT-IN HOIST

The built-in 1,5-ton wire rope hoist with lifting tools facilitates die and roll changing.

OPTIONAL ACCESSORIES

- Automatic grease lubrication for roll bearings and main shaft roller bearing
- Water cooling of the roller shaft
- Conditioner with steam addition provides optimum retention time
- Hydraulic Roller adjustment for ease of maintenance and start-up



TECHNICAL DATA

Type PM30-6

Main motor	Up to 355 kW/480 H		50 Hz/60 Hz 1,480/1,780 rpm
Inlet screw	2 Individual	1,5kW	2 HP 295 rpm
Oil pump	2,2 kW		3 HP
Oil cooler	By Oil pump		
Die	Dimension	Inner diameter	Ø 850 mm
		Effective press width	134 mm
		Effective press area	0.36 m ²
	Die velocity	from 3.5 m/sec.	
Press rolls	Water cooling	Numbers	2
		Roll diameter	400 mm
Total weight	(Static)	Incl. main motor	11,600 kg
		Incl. main motor and conditioner	13,800 kg



All data, information, statements, photographs and graphic illustrations in this leaflet are without any obligation and raise no liabilities to or form part of any sales contracts of ANDRITZ AG or any affiliates for equipment and/or systems referred to herein. © ANDRITZ AG 2021. All rights reserved. No part of this copyrighted work may be reproduced, modified or distributed in any form or by any means, or stored in any database or retrieval system, without the prior written permission of ANDRITZ AG or its affiliates. Due to legal requirements, we must inform you that ANDRITZ AG processes your data for the purposes informing you about the ANDRITZ GROUP and its activities. Find out more details about our data privacy declaration and your rights under the data protection legislation on our website: andritz.com/privacy. ANDRITZ AG, Stattegger Strasse 18, 8045 Graz, Austria.

